

cab Mach4 label printer

The Business Class.

The MACH4 – perfection to the detail. The Mach4-series made by cab is currently one of the leading solutions for label printing. With very good cause: our RFID capable MACH4 offer extraordinary performance and first-class print quality. With a maximum print speed up to 200 mm/s and a print resolution up to 600 dpi a wide range of labels can be printed.

FEATURES

The future “made by cab”: MACH4, the new label printer which sets new, innovative benchmarks. It offers all the features of a high class industrial printer with a wide application range.

- Three designs
- Cover made of premium materials
- Comfortable handling
- High-tech electronic board
- NCover with large window navigation pad



PRODUCT TYPE OVERVIEW FOR MACH4



MACH4 B WITH TEAR-OFF PLATE
A minimum label height of 30 mm is required for it to be torn off.



MACH4 P WITH TEAR-OFF PLATE AND DISPENSE FUNCTION
The label height on dispensing is 20-200mm



MACH4 C WITH TEAR-OFF PLATE AND CUTTER
Labels or continuous material can be cut at a height of just 12mm

For more information on the MACH4 Series visit www.cab.de/label-printer/mach4-series

VISY TECHNOLOGY SYSTEMS Toll Free 1800 634 569 visytech.com

Victoria:

2/74 Mason Street
Campbellfield, Vic 3061

New South Wales:

11A Fendell Street
Granville, NSW 2142

South Australia:

Unit 9, 2-8 Gray Street,
Kilkenny SA 5009

Queensland:

Unit 33/8 Riverland Drive,
Loganholme QLD 4129

MACH4 LABEL PRINTER

SPECS

Printhead

Printing method:	Thermal transfer	■	■	■
	Thermal direct	■	■	-
Print resolution dpi:	203	300	600	
Print speed up to mm/s:	200	200	100	
Print width mm:	104	105.6	105.6	

Labels

Material: Labels, continuous rolls or fan-folded:

thermal and standard paper, cardboard, textile, plastic foils PET, PE, PP, PVC, PU, Acrylat, PI

Material thickness: 0.055 - 0.8 / 60 - 200 mm / weight g/m2

Width of carrier or of continuous material: 25 - 120 / from 0.4 mm Material thickness 5 - 120 mm

Ribbon

Ink: outside or inside

Rollen diameter: up to 72 mm

Core diameter: 25 mm

Dimensions printer

Height x Depth x Width: 312 x 435 x 240 mm

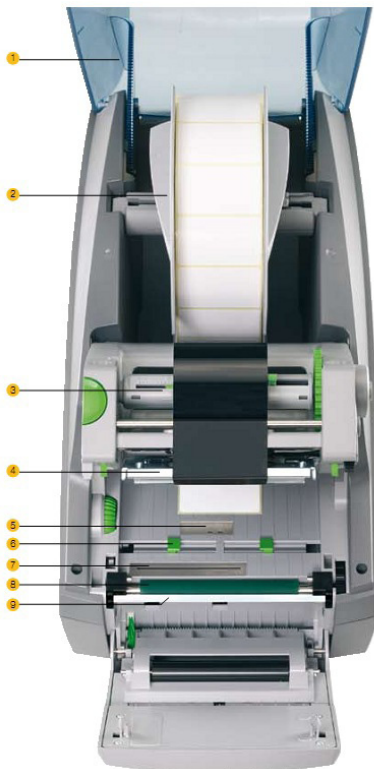
Weight: 6 kg

Electronics

Processor high speed 32 Bit ColdFire/clock frequency: 266 MHz

RAM: 64 MB

ROM: 8 MB Flash



- 1 - **Cover with big window** Can be opened widely. The integrated absorbability mechanism provides smooth closing.
- 2 - **Media hub** The label roll is placed within the media hub and centered automatically. Materials of varying width can be easily bedded within the box.
- 3 - **Ribbon retainer** The ribbon is slid onto a ribbon supply hub with spring mounted brackets. It can be centered with a movable flange and a position indicator. Inserting the ribbon into the print mechanism is now easy and comfortable.
- 4 - **Printing with 203, 300 or 600 dpi** The printheads can be exchanged easily from 203 to 300 dpi. The printer automatically detects the resolution.
- 5 - **Gap sensor** To detect the beginning or end of labels the gap sensor is mounted in the centre of the label path. For two or four labels in a row it is possible to use a gap sensor which can be shifted 10 mm.
- 6 - **Label guidance** With the adjustment knob the user can adjust the width of the printing area. This is to centre the labels.
- 7 - **Reflex sensor** Start of label, printer's imprint and cut outs can be identified with a relocatable reflex sensor.
- 8 - **Drive roller** The drive roller can be easily removed for cleaning or replacement.
- 9 - **Peel-off-plate** The liner is guided down behind the operation panel. The label is peeled off at the peel-off-plate.