



## General Description

Datalogic's **DS1100** offers the best cost-effective industrial solution for OEM applications.

Specifically designed for easy integration into OEM equipment, the **DS1100** provides very compact dimensions, light weight and, obviously, Datalogic's recognized excellent scanning performance.

Many applications and customers' needs have been analyzed and taken into great consideration during the **DS1100** product development. Thanks to these studies, direct and 90° output window versions have the same compact dimensions, allowing very flexible installation. The motor can be switched off and on via software commands, in accordance with application needs, increasing product life and silence during use. Set-up procedures are very easy to follow so the scanner can be quickly configured through WINHOST™, the intuitive set-up software.

The **DS1100** covers a wide reading area, scans very close to the output window and grants optimized performance on high resolution codes, thanks to a full range of specific models.

The perfect combination of a powerful RISC decoder with reliable decoding algorithms and impressive optical performance assure the highest read rate and accuracy even on damaged or poorly printed bar codes.

Integration and connection with existing control systems, PCs or PLCs, is very easy using the two high speed serial interfaces. Multi-point scanning configurations are available using Master-Slave or Multiplexer connections.

The **DS1100** is equipped with IP65 rugged industrial housing and is also available as an embedded module for specific applications.

## Features

- > **Scanning speed of 500 scans/s**
- > **Motor on/off software commands**
- > Cost-effective
- > Very compact dimensions for both direct/90° reading window models
- > Wide reading width at a short reading distance
- > Lightweight <100 g (<3.53 oz)
- > Dual high speed serial interface (RS232/RS485)

## Applications

- > Chemical and blood analyzers
- > Pharmaceutical code verifiers
- > Automatic teller machines (ATMs)
- > Printing machines
- > Video rental machines
- > Film processing machines
- > Assembly lines
- > Work-in-process & Quality control

## Specifications

### ELECTRICAL CHARACTERISTICS

POWER SUPPLY 5 VDC  $\pm$ 5% (4 to 30 VDC with converter)  
 POWER CONSUMPTION 1.5 W

### MECHANICAL CHARACTERISTICS

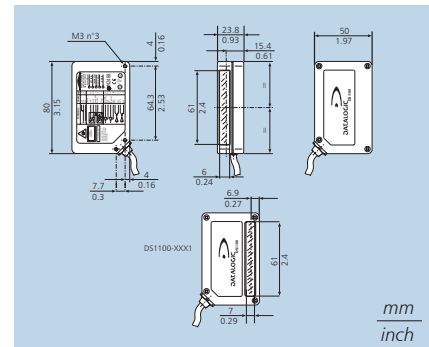
WEIGHT (without cable) <100 g (<3.53 oz)  
 CASE MATERIAL Magnesium (body) + Polycarbonate (cover)

### PERFORMANCE

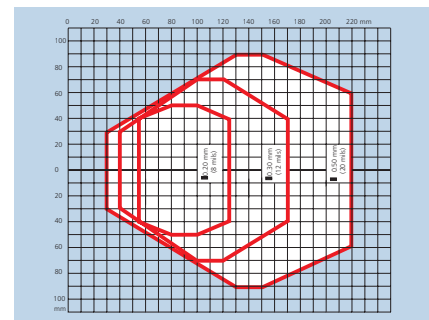
LIGHT SOURCE Visible laser diode (650 nm)  
 SCANNING SPEED 500 scans/s  
 MAX. RESOLUTION  
   1xxx models 0.20 mm (8 mils)  
   2xxx models 0.12 mm (5 mils)  
 MAX. READING DISTANCE  
   1xxx models 220 mm (8.7 in) on 0.50 mm (20 mils) code res.  
   2xxx models 110 mm (4.3 in) on 0.30 mm (12 mils) code res.  
 MAX. DEPTH OF FIELD  
   1xxx models 190 mm (7.5 in) on 0.50 mm (20 mils) code res.  
   2xxx models 100 mm (3.7 in) on 0.30 mm (12 mils) code res.  
 APERTURE ANGLE 70 degrees  
 RASTER APERTURE 15 mm (0.6 in) at 220 mm (8.7 in)  
 READABLE CODES Code 2/5, Code 39, Code 93, Code 128, EAN/UPC, EAN 128, Codabar, Plessey, Pharmacode  
 MULTILABEL READING Up to 6 different codes in the same reading phase  
 COMM. INTERFACES RS232 + RS485 half duplex  
 BAUD RATE Up to 115,200 bauds  
 INPUT SIGNALS One programmable digital input and One External Trigger digital input  
 OUTPUT SIGNALS Two programmable digital outputs  
 PROGRAMMING METHOD Via serial port (WINHOST™)  
 OPERATING MODES 'On line', 'Serial On-line', 'Automatic', 'Test'  
 MOTOR CONTROL Motor on/off software commands  
 LED INDICATORS 'Power On', 'Ext Trigger', 'Laser On', 'Good Read', 'Tx Data'  
 LASER CLASSIFICATION IEC 825-1 Class 2; CDRH Class II  
 LASER CONTROL Security system to turn laser off in case of motor slow down or failure

**ENVIRONMENT**  
 OPERATING TEMPERATURE 0 to 45 °C (32 to 113 °F)  
 STORAGE TEMPERATURE -20 to 70 °C (-4 to 158 °F)  
 HUMIDITY 90% non condensing  
 VIBRATION RESISTANCE IEC 68-2-6 test FC 1.5 mm; 10 to 55 Hz; 2 hours on each axis  
 SHOCK RESISTANCE IEC 68-2-27 test EA 30 G; 11 ms; 3 shocks on each axis  
 PROTECTION CLASS IP65

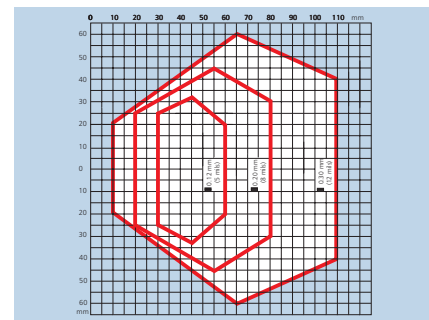
## Dimensions



## Reading Diagrams



Standard resolution models



High resolution models



Product and Company names and logos referenced may be either trademarks or registered trademarks of their respective companies. We reserve the right to make modifications and improvements.





## About BarcodesInc

### Who We Are

BarcodesInc is North America's leading provider of barcode and mobile computing solutions. We are a leading provider of barcode and mobile computing solutions. We are a leading provider of barcode and mobile computing solutions.

### We Owe Our Success To You

Our success is due to the support and trust of our customers. We are committed to providing the highest quality products and services to our customers.

## Why Choose BarcodesInc?

### Dedicated Account A UbU Yf

Our Account Managers will not compromise when it comes to providing you top-notch service. Your Account Manager is the primary point of contact for your business and makes it a priority to get to know you, your company and all your needs.

### Highly-Trained Technical Support

Our technical staff has the broadest knowledge and every significant certification in the industry. One of our friendly experts is always available to suggest products and solutions for any situation.

### Incredible Value

Our purchasing power means big savings for you. Whatever your project, our team will work hard to deliver a solution that fits your budget.

### Largest Inventory in the Industry and Same-Day Shipping

Whatever your barcoding, mobile computing, or printing needs, we will fill your order and ship it the same day.

### Premier Access to Top Manufacturers

BarcodesInc maintains strong strategic partnerships with the leading manufacturers in barcoding, mobile computing, printing and RFID.

### Responsive Customer Service

Every phone call and email is responded to promptly, completely and accurately by our customer service team.

### Easy Returns

Damaged, defective or incorrectly ordered goods may be returned without hassle.

## BRANDS



AND MORE