

# POS-6510

NEW



**PROTECH SYSTEMS**  
It's the right choice

The Fanless Highly Integrated & Performance 15" POS Terminal



## Features

- Intel® Atom™ Pineview D525 CPU
- Fanless design
- Optional Vertical MSR /i-Button /ISO 14443A RFID module / fingerprint module
- Back VFD support



## Specifications

System	CPU Support	Intel® Atom™ D525 CPU
	Memory	1 x DDR3 SO-DIMM Slot, 2GB (up to 4GB)
	Core Logic	Intel® ICH8M
	Network	10/100/1000 Base-T Fast Ethernet
	Power Supply	72Watt ~ 120Watt power adapter
	System Weight	11 kg (24.2 lbs)
	Dimension (W x H x D)	365 x 363 x 303 mm (14.37" x 14.29" x 11.92")
O.S. Support	WINXP /POSReady2009 /WEPOS /WES2009 /WIN7 /POSReady7	
Storage	HDD	1 x 2.5" SATA HDD
	SSD	1 x half-slim type
	CF	Bootable Compact Flash slot for CF type I/II storages
I/O Ports	USB	4 x USB 2.0 ports / 1 x USB 2.0 on side bezel
	Serial Ports	2 x DB-9 (COM 1/2), 1 x RJ45 (COM 3),+5V/12V selectable (COM 1~ COM3)
	PS/2	1 x PS/2 ports (default at keyboard)
	LAN	1 x RJ-45
	VGA	1 x DB-15 VGA interface
	Cash Drawer	1 x RJ11 (+12V or +24V selectable)(default at +12V)
	DC in	for Power adaptor
Display	LCD	15" TFT LCD
	Max. Resolution	1024 x 768
	Brightness	250 cd/m <sup>2</sup>
	Touch Screen	ELO 5-wire Analog resistive
Tilt Angle	40 ~ 65 degrees	
Environment	EMC & Safety	CE / FCC
	Operating Temp.	0 ~ 35° C
	Storage Temp.	-20 ~ 60° C
	Humidity	20 ~ 90%

\*All information contained in this document is subject to change without prior notice. Please log on [www.protech.com.tw](http://www.protech.com.tw) to acquire latest information.

**Call our Friendly Staff at:**  
**1-888-ProxPOS (1-888-776-9767)**

**Protech Technologies Inc.**

950 Fee Ana St, Suite B  
Placentia, CA 92870

[www.protech-pos.com](http://www.protech-pos.com)

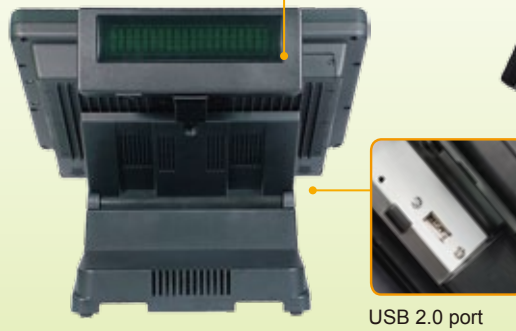
## Highlights

### Options:

Water proof front panel (w/o MSR)



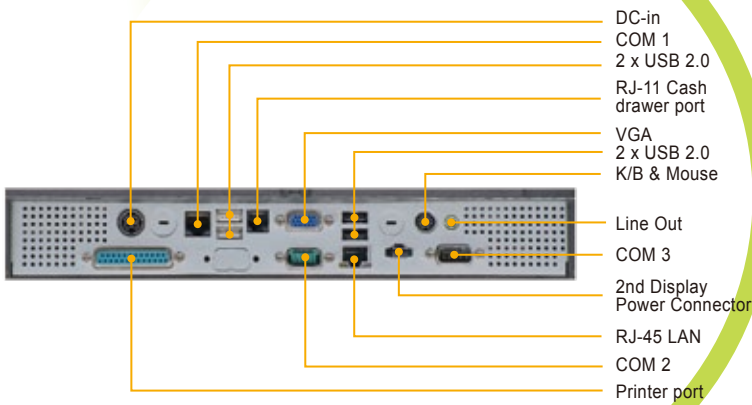
VFD Display (Backing Type)



2nd Display (12")



## System I/O Ports



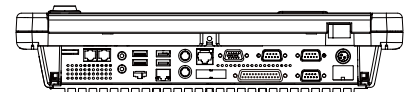
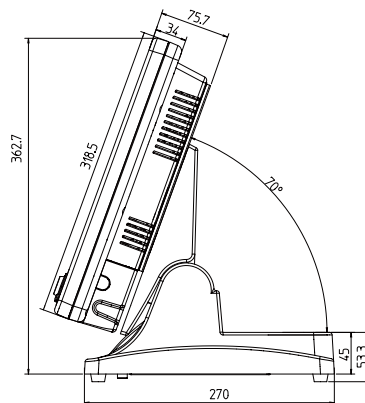
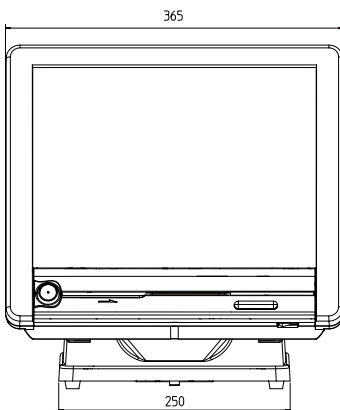
## Ordering Information

Order No	Description
PA-6055RA-A0B	POS-6510 barebone, Black, ELO resistive touchscreen & 120W power adaptor
PA-6055RZ-25A	DDR3 2GB Memory /2.5" HDD
PA-6055RZ-35B	PS2 MSR(ID tech), w/o ibutton
PA-6055RZ-7ZB	Back type VFD kit
27-013-12837119	L type AC Cord
PA-6055RZ-61A	Embedded wireless module (802.11b/g)
PA-6055RZ-62B	vertical RFID module, ISO14443A (USB interface)

## Applications

- Food service
- Retail

## Dimensions



unit: mm