

PS6508

Quick Reference Guide



Manual ver Q6

All Right Reserved Copyright 2010

Packing Checklist

If you discover any item below was damaged or lost, please contact your vendor.

- PS6508 X 1
- This Quick Reference Guide X 1
- AC Power Cord (Optional) X 1
- Driver CD X 1
- MSR Card Reader (Optional) X 1
- i-Button + MSR Card Reader (Optional) X 1
- Wireless LAN (IEEE 802.11 b+g) (Optional) X 1
- CF-KIT (Optional) X 1
- VFD (Optional) X 1

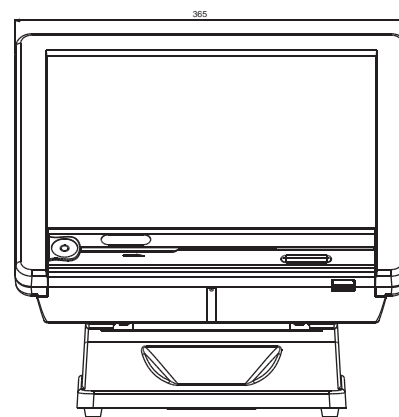
Specifications

System	
CPU Support	Intel® Celeron® M CPU up to 1.5GHz/ Intel® Celeron® M ULV CPU up to 1.0GHz/ Pentium® M CPU up to 1.8GHz
Memory Support	1 x SO-DIMM, DDRII SDRAM up to 1GHz max.
Communication	Integrated Mini-PCI Intel Wireless 802.11b/g card (optional)
Power Supply	120W power adapter
O.S. Support	Windows XP/XPE, Linux, WEPOS
System Weight	9kg
Dimension (WxHxD)	365 x 347 x 270 mm
Certificate	CE, FCC, UL, CCC
I/O Ports	
Drive Bays	1 x 2.5" SATA HDD
USB	4 x USB 2.0 ports
Serial Ports	4 x COM ports
Parallel	1 x parallel port (SPP/EPP/ECP)
Keyboard/Mouse	2 x PS/2 ports
LAN	1 x Giga Fast Ethernet
Others	1 x CF card slot (optional), 1 x RJ11 port for cash drawer
Option	MSR Card reader, i-Button, Customer display
Display	
LCD	15" TFT LCD
Touch Screen	Analog resistive
Viewing Angle	0 ~ 60 degree
Environment	
Operating Temp.	0 °C ~ 35 °C
Storage Temp.	-20 °C ~ 60 °C
Humidity	20% ~ 90%

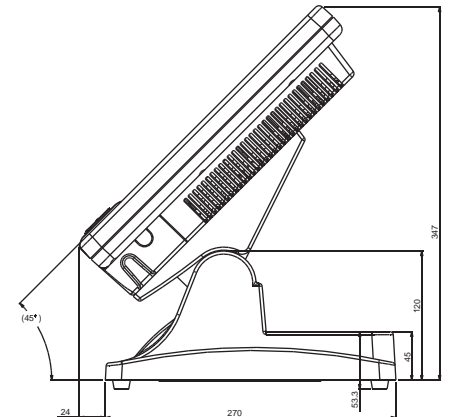
System View

PS6508

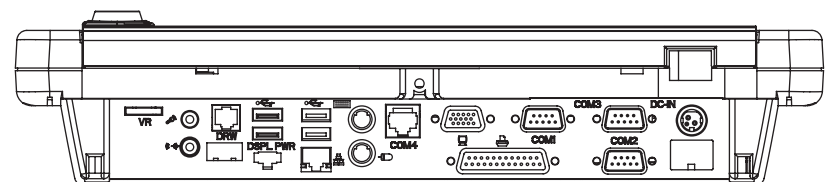
Front View



Side View



I/O View

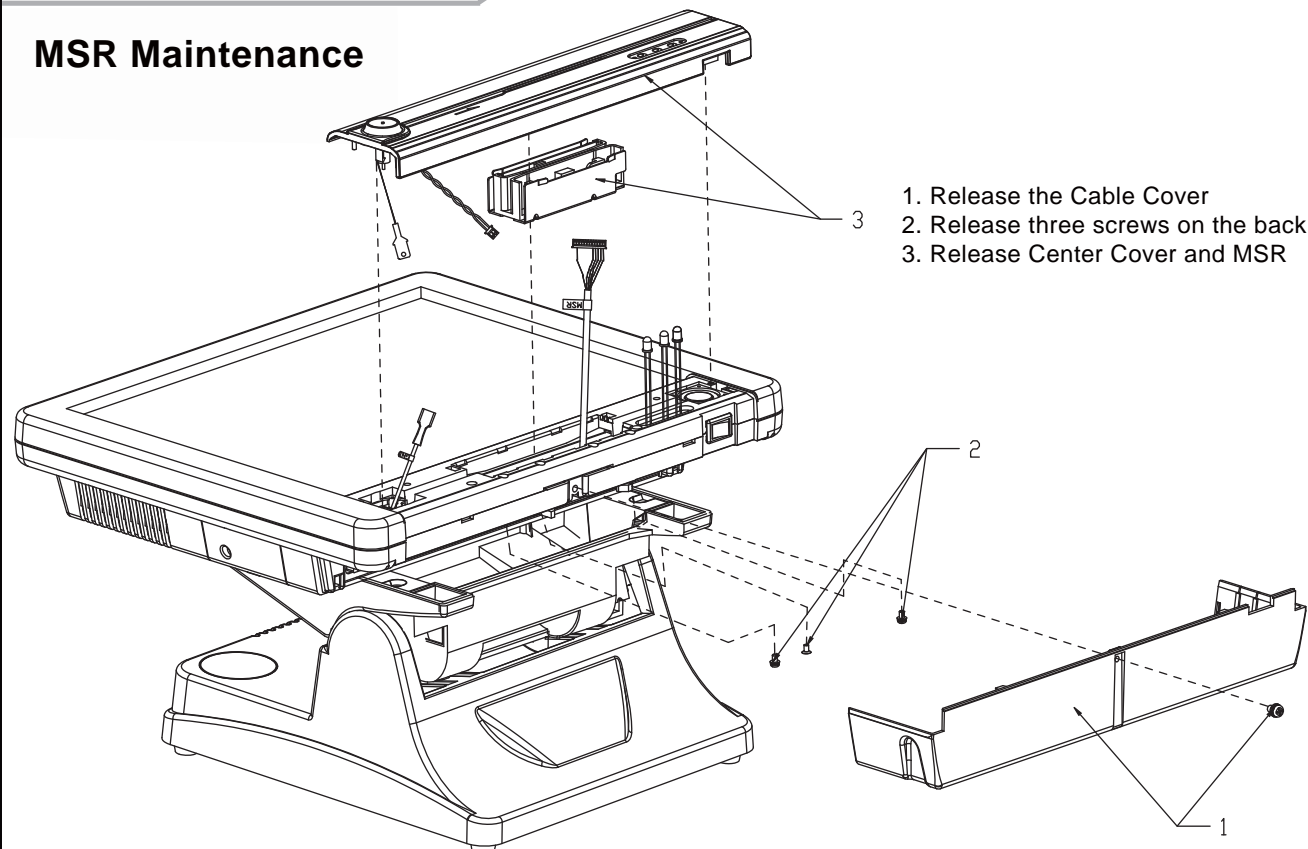


Unit: mm

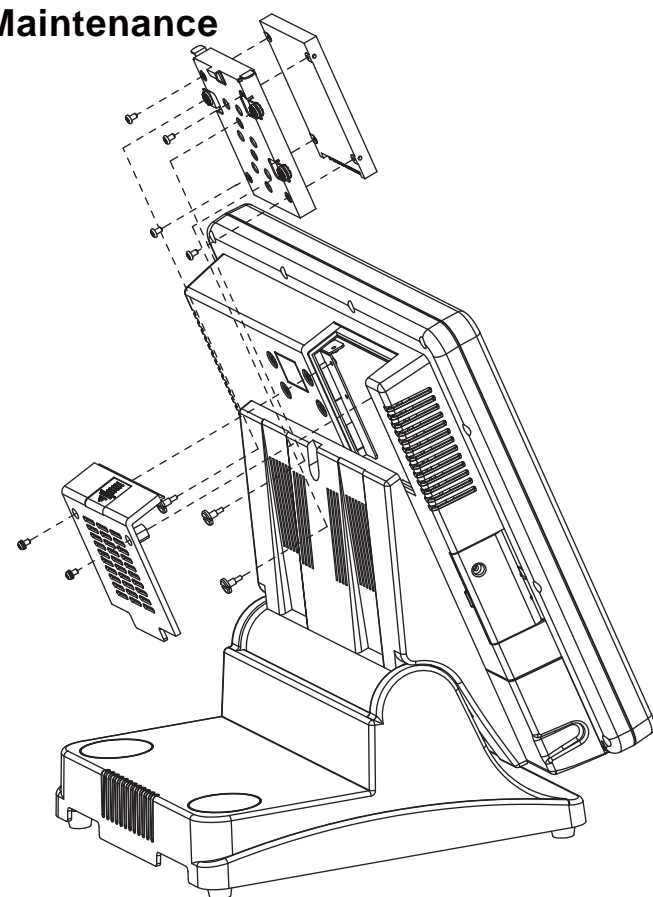
PS6508 Pentium® M High Performance 15" POS Terminal

Easy Maintenance

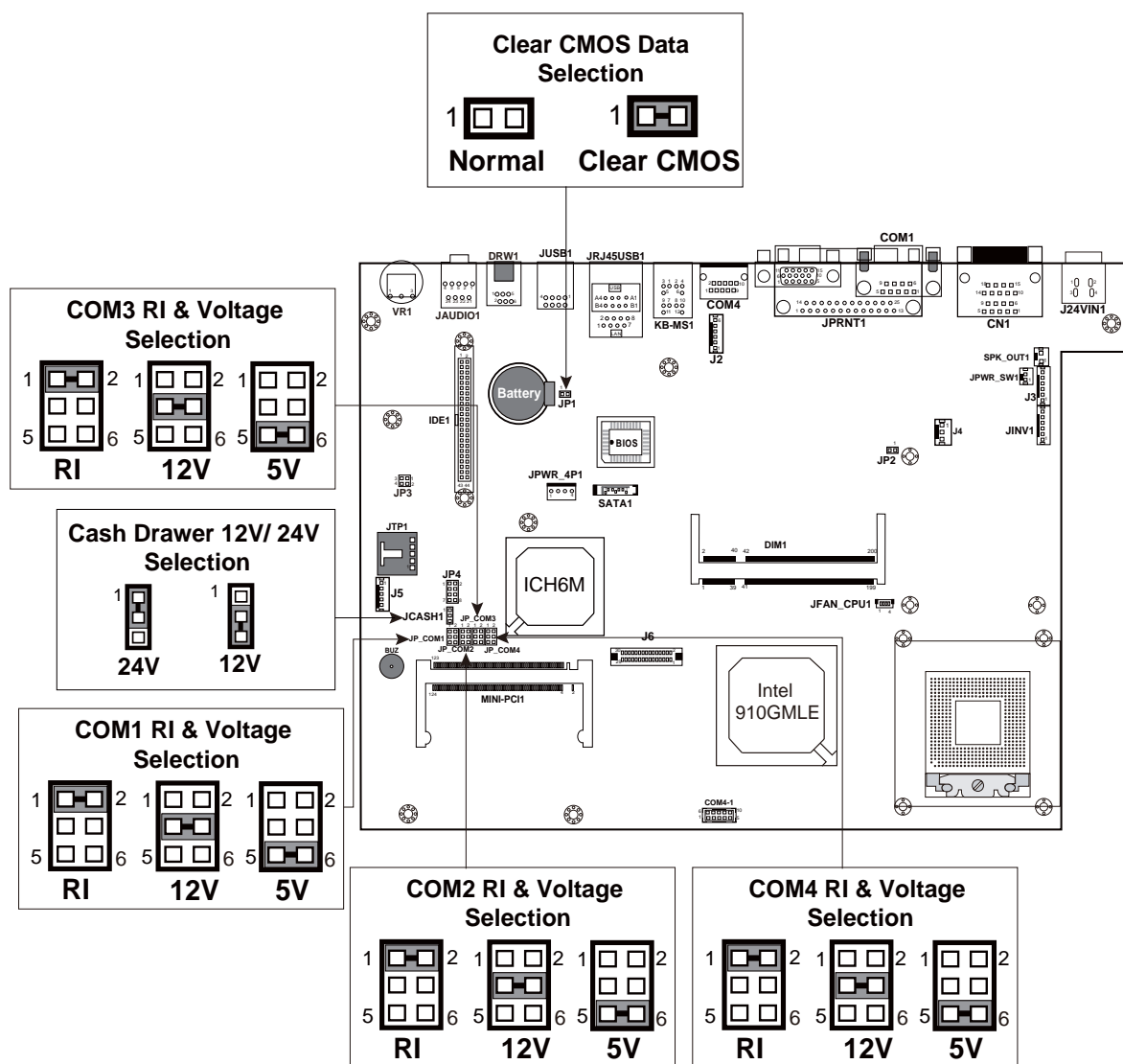
MSR Maintenance



HDD Maintenance



Jumper Setting



Safety Precaution

The following messages are reminders for safety on how to protect your systems from damages and to extend a long life of the system.

1. Check the Cable Voltage

- Make sure the range of operating voltage that is between AC 100V and AC 240V. Otherwise, the system could be damaged.

2. Environmental Conditions

- Place your PS6508 on a sturdy, level surface. Be sure to allow enough space to have easy access around the system.
- Avoid extremely hot or cold place to install the system.
- Avoid exposure to sunlight for a long period of time or in a airtight space.
- Also, avoid the system from any heating device or use PS6508 when it's been left outdoors in a cold winter day.
- Bear in mind that the operating ambient temperature is from 0°C up to +35°C (32°F~ 95°F).
- Avoid moving the system rapidly from a hot place to a cold place and vice versa. Because condensation may come from inside of the system.
- Place PS6508 in strong vibration(s) may cause hard disk failure.
- Do not place the system too close to any radio active device. Radio-active device may cause signal interference.

3. Handling

- If the system isn't full system in DOS mode, please adjust BIOS setting as following instruction. Advanced Chipset Feature => Boot display => choose "LFP". The power of COM1 and COM4 is co-used with 2nd display, please be sure COM1 and COM4 are set at RI mode while using 2nd display. Otherwise, COM1 and COM4 may cause operating problem.
- Avoid putting heavy objects on top of the system.
- Do not turn the system upside down. This may cause the hard drive to malfunction.
- Do not allow foreign objects to fall into this product.
- If water or other liquid spills into this product, unplug the power cord immediately.

4. Good Care

- When the outside of the case is stained, remove the stain with neutral washing agent with a dry cloth.
- Never use strong agents such as benzene and thinner to clean the system.
- If heavy stains are present, moisten a cloth with diluted neutral washing agent or with alcohol and then wipe thoroughly with a dry cloth.
- If dust has been accumulated on the outside, remove it by using a special made vacuum cleaner for computers.
- Please don't exchange the M/B battery by yourself or serious damage may incur.